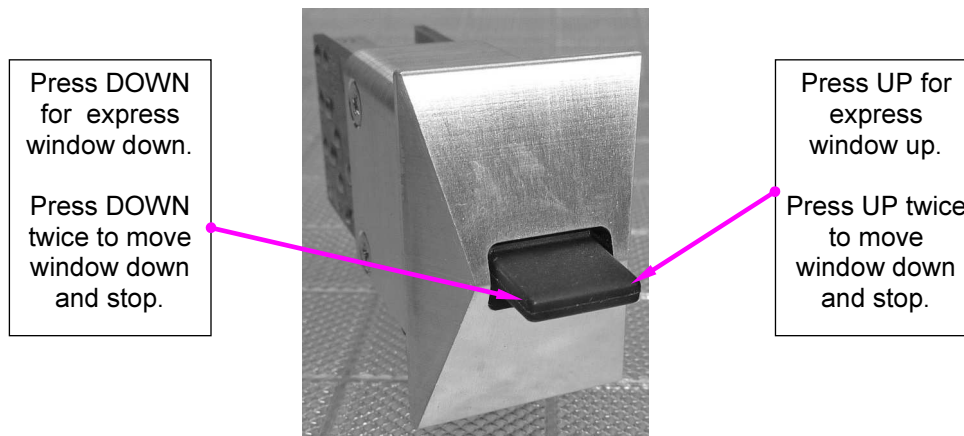

Pantera Electronics Power Window Switch Installation Manual

Power Window Switch Features and Operation

- > Durable aluminum bezel that fits the factory switch size opening.
- > Connects to the factory wire harness without changes.
(except for wiring the extra features)
- > Switch contact rating is 25 amps that exceeds the factory switch rating.
- > Internal lighting for night visibility with brightness adjustable with the factory dimmer control
- > Input terminals for additional switches in door panel or remote operation.
- > Removable aluminum bezel can be finished in a variety of styles and colors.



WARNING

This power window switch does not have a glass safety sensor in case of persons body parts within the window opening during closing. Persons can be severely injured by the window closure. Do NOT allow children to use the power windows. Use caution when closing the power windows with Pantera Electronics switches.

NOTE: It's important to keep this installation manual for future reference since revisions to this product change the contents of the installation manual.

Finishing the Bezel - To achieve a anodized appearance with paint:

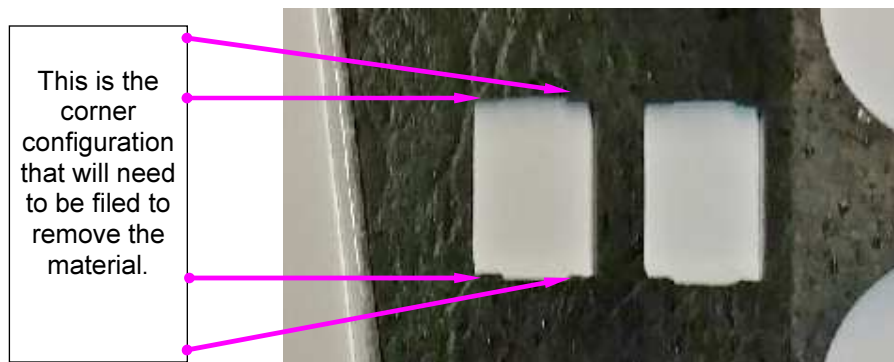
1. Remove the 4 screws that retain the housing to the internal electronics.
2. Polish to the desired surface reflection.
3. Use a motorized buffing wheel rouge. Several grades of rouge may be required.
4. Clean with lacquer thinner.
5. Use masking tape on all surfaces except the bezel edge.
6. Paint the bezel with DupliColor Metalcast paint.
7. Allow paint to dry thoroughly before removing the masking tape.
8. Assemble electronics into the housing, make sure to aligned the rocker through the opening in the housing. It can only fit one way.
9. Install the 4 screws and install the switch in the console panel.

Dupli-Color
METALCAST
Part numbers:
MC200
MC201
MC202
MC203
MC204
MC205

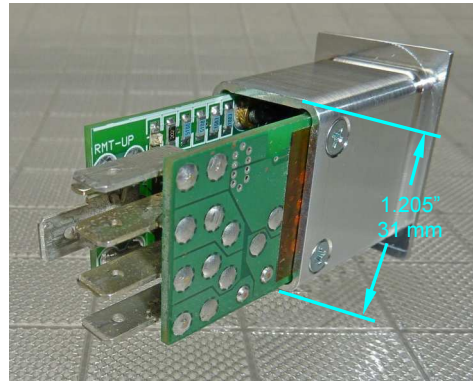
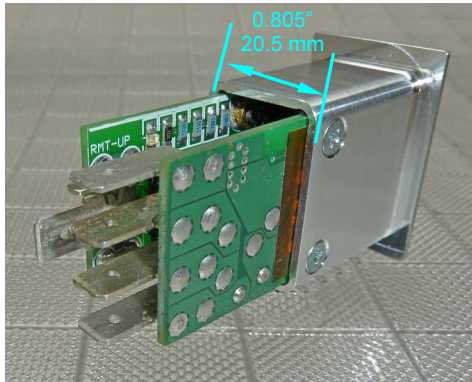


Installation

1. Unscrew the 3 thumb screws that retain the console gauge plate.
2. Disconnect the wires from the back of the switch and push the switch out of the panel, this may require rocking the switch in the hole.
3. Make sure the hole is free from the surface material, it cannot be inside the hole or the PE switch will not fit.
4. There are several different hole configurations of the openings in the console plate. This may require the corners to be modified by filing the corner to remove the alignment edges. This can be done with a sharp flat file or Dremel tool with a grinding disk for the metal console plates. The plastic console plates are easily filed and do not need to use the Dremel tool.
5. Check the fit of the switch in the hole, make sure that it can sit flat and even against the console plate.
6. Pull the wires through the hole first and slide the O-ring over all the wires. Don't forget the new wires that need to be added.
7. Connect the wires matching the wire colors to the tabs labeled with the wire color.
8. Insert the PE switch in the hole and roll the O-ring over the back side of the bezel until it rolls into the groove.
9. Test the switch functions and check to make sure it illuminates when the lights are "ON".
10. Reassemble the console panel and thumb screws and re-test the switch.



Window Switch Dimensions



Window Switch Connections

Drivers Side Window Switch:

1. The drivers side PINK/BLACK wire connects to the terminal labeled PINK and YELLOW terminal.
2. The drivers side WHITE/BLACK wire connects to the terminal labeled WHT/ BLK terminal.
3. The drivers side BLACK wire connects to the terminal labeled BLACK terminal.
4. The drivers side RED wire connects to the terminal labeled RED*BRN terminal.

Passengers Side Window Switch:

1. The passengers side WHITE/BLACK wire connects to the terminal labeled WHT/BLK terminal.
2. The passengers side YELLOW/BLACK wire connects to the terminal labeled PINK and YELLOW terminal.
3. The passengers side BLACK wire connects to the terminal labeled BLACK terminal.
4. The passengers side BROWN wire connects to the terminal labeled RED*BRN terminal.
5. Add a YELLOW wire with female terminals to a factory YELLOW/BLACK wire on a gauge light that is in close proximity.

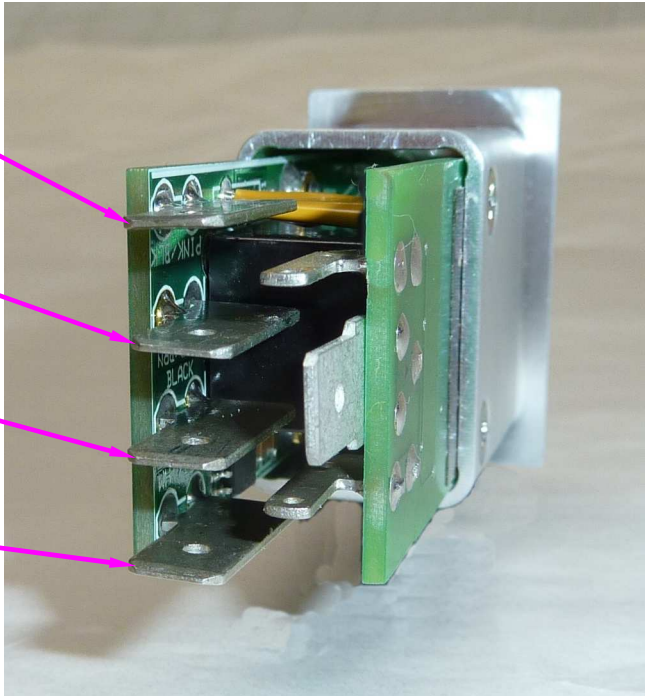
Window Switch Connections

PINK/BLACK
terminal

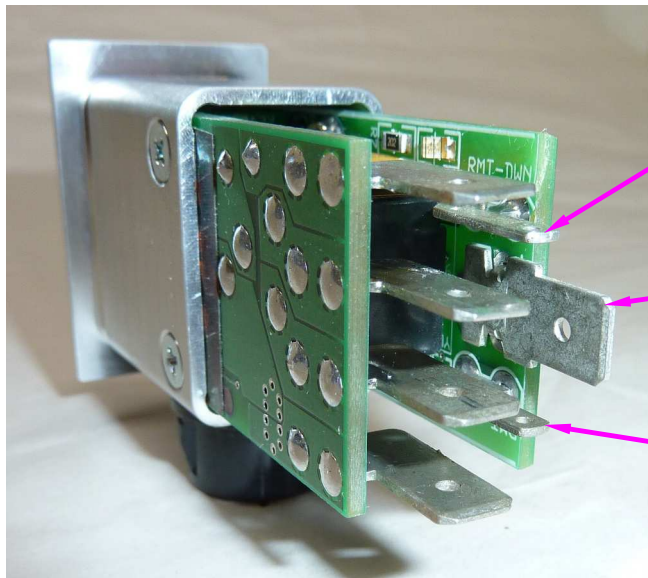
RED*BRN
terminal

BLACK
terminal

WHT/BLK
terminal



Lighting and Remote Connections

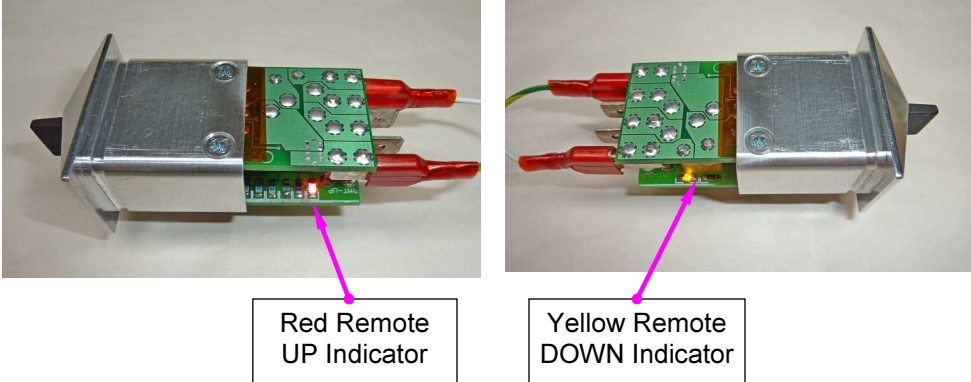


Remote DOWN
terminal

Connect to
YELLOW/BLK
wire on any
gauge light.

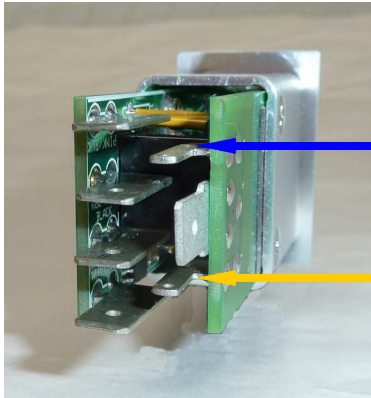
Remote UP
terminal

Power Window Switch Remote Indicators

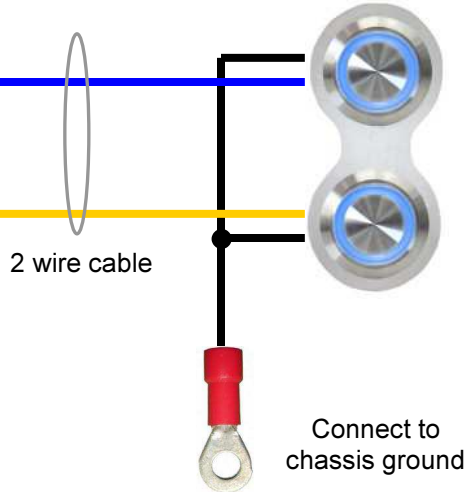


Slave Window Switches

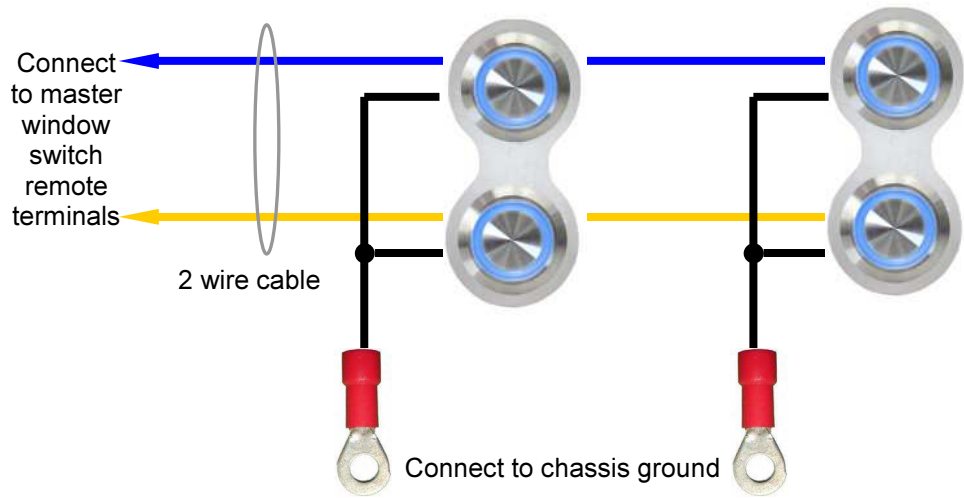
Power window switch as Master



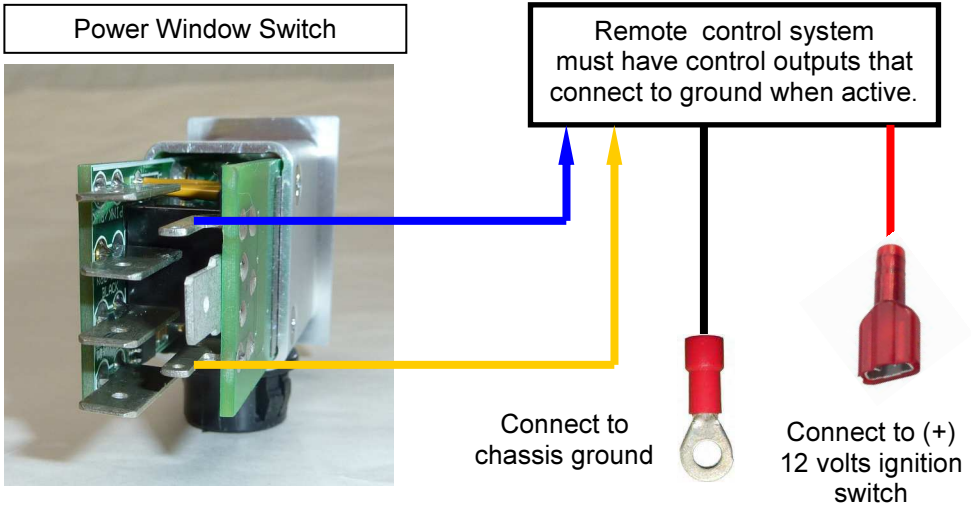
Slave power window switch. This can be any switch with normally open contacts.



Multiple Slave Window Switches



Remote Operation Connections



—

—